

# Legend to the RIPE European IP Inventory – Abbreviations

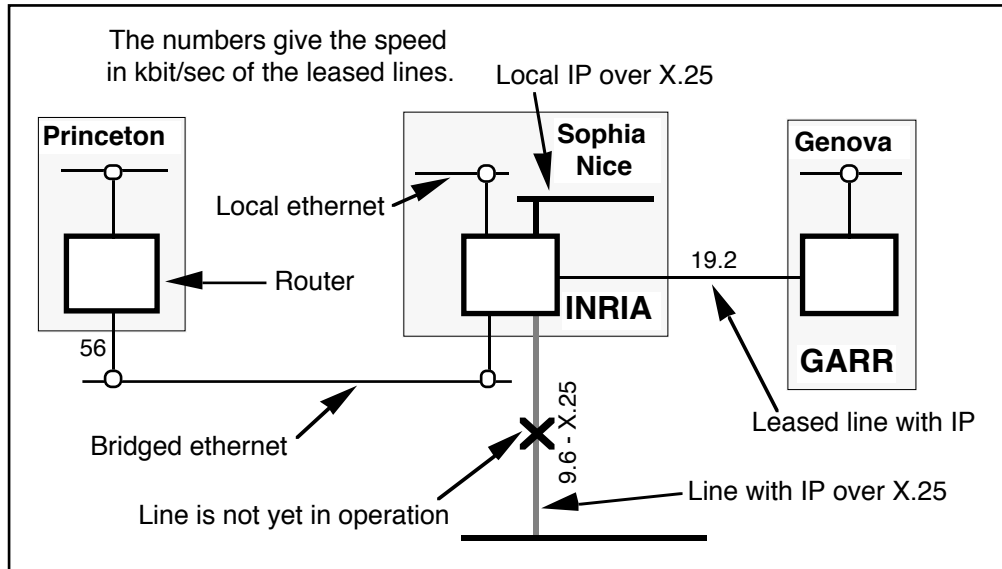
Abbreviation	Country	Organisation, Town
ARPA	US	Advanced Research Projects Agency
BBN	US	Bolt Beranek and Newman, Boston
CEA	FR	Commissariat à l'Énergie Atomique
CERN		Organisation Européenne pour la Recherche Nucléaire, Geneva
CNUSC	FR	Centre National Universitaire Sud de Calcul, Montpellier
CWI	NL	Centrum voor Wiskunde en Informatica, Amsterdam
DARPA	US	Defense Advanced Research Projects Agency
DENet	DK	Danish Ethernet Network
DESY	DE	Deutsches Elektronen Synchrotron, Hamburg
DFN	DE	Deutsches Forschungsnetz
EASInet		European Academic Supercomputer Initiative
ESnet	US	Energy Science Network
EUnet		European UNIX Network
EUUG		European UNIX Systems User Group
FGAN	DE	Forschungsgesellschaft f. Angew. Naturwissenschaften, Wachtberg
FNAL	US	Fermi National Accelerator Laboratories
FUNET	FI	Finnish University Network
GARR	IT	Gruppo Armonizzazione Reti della Ricerca
GMD	DE	Gesellschaft für Mathematik und Datenverarbeitung
ILAN	IL	Israeli Academic Network
INRIA	FR	Institut National de Recherche en Informatique et Automatique
IN2P3	FR	Institut National de Physique Nucléaire et Physique des Particules, Lyon
IPP	DE	Max Planck Institut für Plasmaphysik, Garching
IXI		International X.25 Infrastructure
JvNCNet	US	John von Neumann Supercomputer Center Consortium Network, Princeton
NORDUnet		Nordic Research and Development network
NORSAR	NO	
NSFNET	US	National Science Foundation Network
NTA	NO	Norwegian Telecommunications Administration
NYSERNet	US	New York State Educational Research Network
RIPE		Réseau IP Européenne
RSRE	GB	Royal Signals Research Establishment, Malvern
SDAC	US	
STC	NL	SHAPE Technical Center
SUNET	SE	Swedish University Network
SURFnet	NL	Samenwerkingsorganisatie computerdienstverlening in het Hoger Onderwijs en Onderzoek network
SURIS	IS	Samtök um Upplýsinganet Rannsóknaradila á Íslandi
SWITCH	CH	Swiss Telecommunication System for higher Education and Research
TAU	IL	Tel Aviv University
TUVIE	AT	Technische Universität Vienna
UCL	BE	Universite Catholice Leuven, Leuven
UCL	GB	University College London, London
UKC	GB	University of Kent at Canterbury, Canterbury
ULCC	GB	University of London Computer Center, London
UNIDO	DE	Universität Dortmund, Dortmund
UNINETT	NO	University Network
UUNET	US	
WIN	DE	Wissenschafts Netz
XLINK	DE	eXtended Lokales Informatik Netz Karlsruhe

Please send additions and modifications to: <lenggenhager@verw.switch.ch>

Aug 28, 1990 © SWITCH/tl

# Legend to the RIPE European IP Inventory – Pictures

## Legend to the “Speed-Map”



## Legend to the “Netnum-Map”

